

NGI HYGIENIC COMPONENTS IS THE WORLD'S LEADING MANUFACTURER OF CERTIFIED INDUSTRIAL HYGIENIC COMPONENTS.

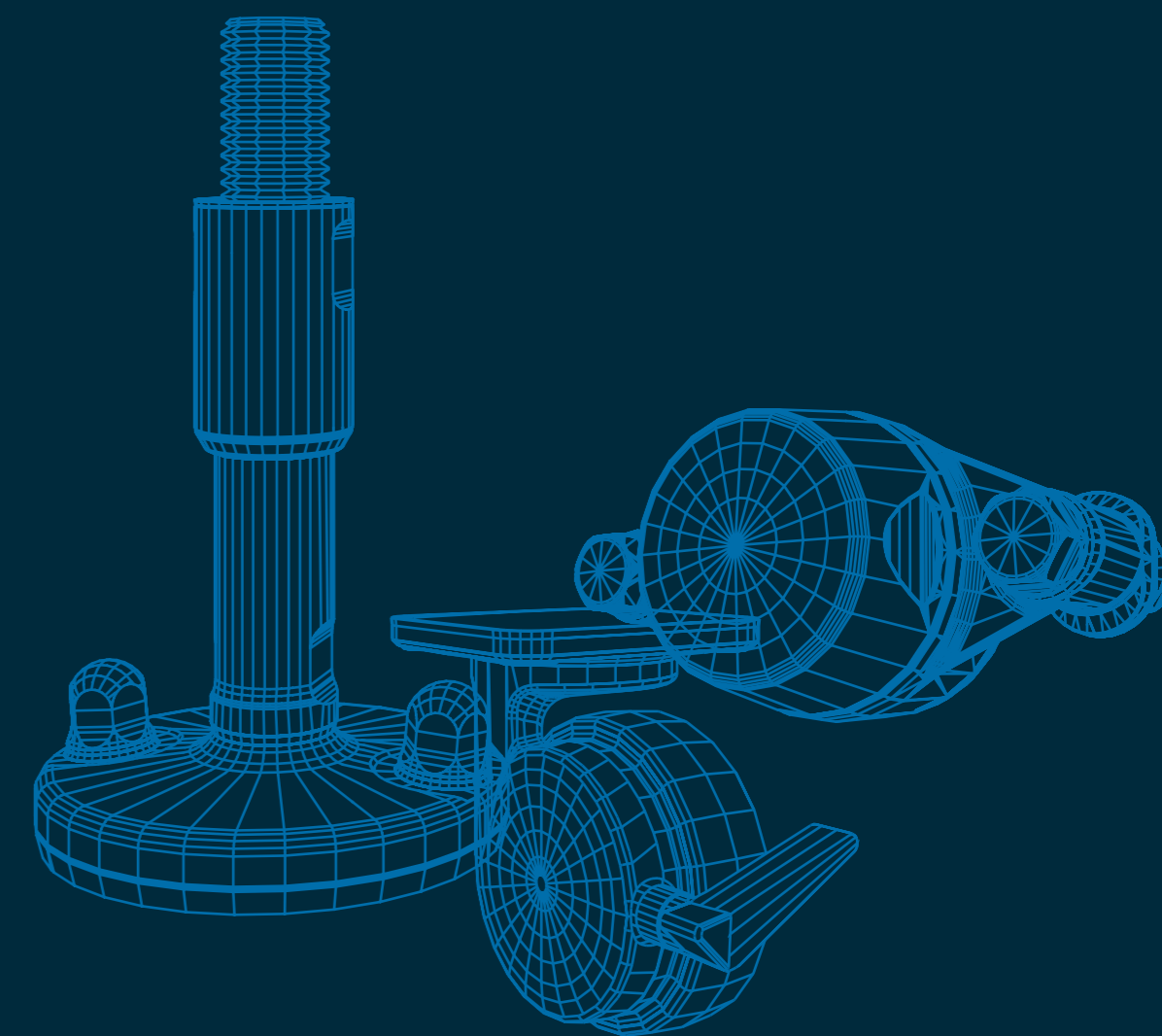
WE CONTINUOUSLY **DEVELOP** AND **INNOVATE** OUR PRODUCTS AND CONCEPTS TO SUPPORT OUR CUSTOMERS WITH FUTURE PROVEN SOLUTIONS THAT MEET TOMORROWS NEEDS AND IMPROVE THEIR COMPETITIVENESS.

YOUR SPECIFIC MARKET CONSULTANTS

NGI has grown to become the global market leader for hygienic components due to our continuously high involvement in our customer's businesses and needs.

Our deep insight into the various sectors within the machine manufacturing and food processing industries makes us a value-adding partner with focus on consulting and knowledge sharing.

Today, NGI is represented in more than 50 countries and is rapidly expanding. As an NGI customer you will always be able to talk to a country-specific consultant with local language skills.



HYGIENIC COMPONENTS

**NGI DENMARK
(MAIN OFFICE)**
NGI A/S
Virkelyst 5
DK-9400 Nørresundby
Denmark
www.ngi-global.com

Phone: +45 98 17 45 00
E-mail: ngi@ngi.dk

NGI USA
805 Satellite Blvd
Suwanee, GA 30024
USA

Phone: + 1 (646) 201 9410

NGI ITALY
Via Guglielmo Jervis 4
10015 IVREA TO
Italy

Phone: +39 0775 68 70 10

NGI SPAIN
Rambla Catalunya 81, 5-4
08008 Barcelona
Spain

Phone: +34 661 27 95 04



CERTIFIED HYGIENIC

BEARING HOUSES



Plug&Play installation



Enhanced food safety



A complete hygienic design minimizing risks of cross-contamination



Reduce energy consumption, minimize water usage, minimize use of cleaning detergents

HYGIENIC CASTORS



Enhanced food safety



A complete hygienic design minimizing risks of cross-contamination



Plug&Play installation



Minimize water usage and use of cleaning detergents



LEVELLING FEET



Reduce operating and maintenance costs



A complete hygienic design minimizing risks of cross-contamination



Plug&Play installation



Enhanced food safety



CERTIFIED HYGIENIC



MINIMIZED CLEANING TIME

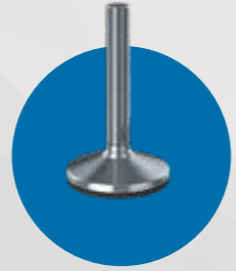


MINIMIZED WATER USAGE

NGI IS THE WORLD'S LEADING MANUFACTURER OF HYGIENIC COMPONENTS

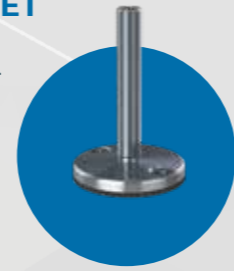
FULLY-THREADED LEVELLING FEET

The optimal fully-threaded choice for machinery and equipment in diverse production environments.



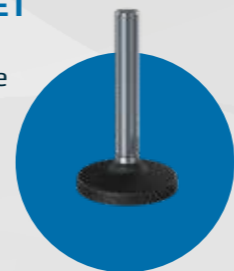
SOLID FULLY-THREADED LEVELLING FEET

The optimal fully-threaded choice for heavy machinery and equipment in diverse production environments.



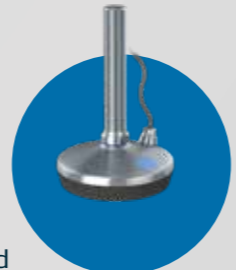
PLASTIC FULLY-THREADED LEVELLING FEET

The optimal plastic fully-threaded choice for low- and middle weight machinery and equipment in diverse production environments.



WEIGHING LEVELLING FEET

The only hygienic weighing levelling feet in the world with build in standard weighing cell secured, guided and protected inside the feet.



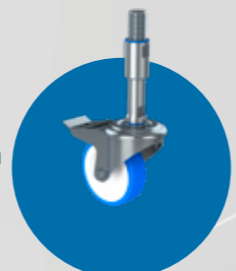
SEISMIC LEVELLING FEET

The only hygienic seismic levelling feet in the world designed and calculated according to the international new zealand seismic standard.



CASTORS

The only castors in the world with hygienic levelling spindles for use in sanitary production environments.



TANK SUPPORT BOLTS

The only hygienic tank support bolt in the world with sealing between welding connector and spindle.



ACCESSORIES

In addition to supplying standardized accessories we are also able to supply customized accessories and certified hygienic bolts and nuts.



WHY NGI?

- NGI offers all types of high-quality hygienic components at competitive prices
- No minimum order quantities
- No levelling project is impossible for NGI
- Incoming orders packed and shipped the same day
- Quick order confirmation (within 24 hours)
- Maximum 12-hours response time to customer enquiries
- Worldwide delivery 1-6 days
- Optional express delivery (next day)
- Track & trace on all shipments

1-4 DAYS
DELIVERY IN
SCANDINAVIA

4-6 DAYS
DELIVERY IN REST
OF WORLD

THANKS FOR YOUR INTEREST
SEE MORE AT WWW.NGI-GLOBAL.COM

